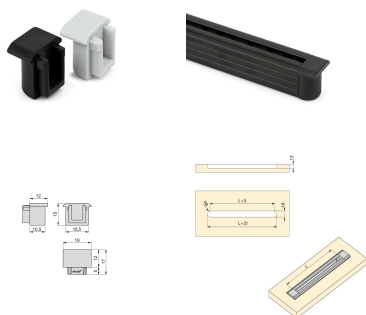


Flow cover for sliding door, Black plastic, Plastic

6114817



Product Information

SKU	6114817
Materials	Plastic
Finishings	Black plastic
Packaging	40 Ut

Flow system lift tapas. They are made of black and gray plastic. These tapas are placed at the ends of the lane to improve the aesthetic finish and increase protection against dust and dirt. Its assembly and disassembly by direct coupling are very simple. It requires a drill milling of 16 mm in diameter and 13 mm deep at the end of the lane groove. Each piece measures a total of 19 mm wide, 17 mm deep, and 15 mm high. The notch that is introduced into the lane is 5 mm deep, U-shaped. This product is offered in 40 units packaging.

Documentation



[Go to web product](#)



[Sketch \(PDF\)](#)



[Assembly instructions \(PDF\)](#)

Essential Products



Flow brake for sliding door,
Grey plastic, Plastic