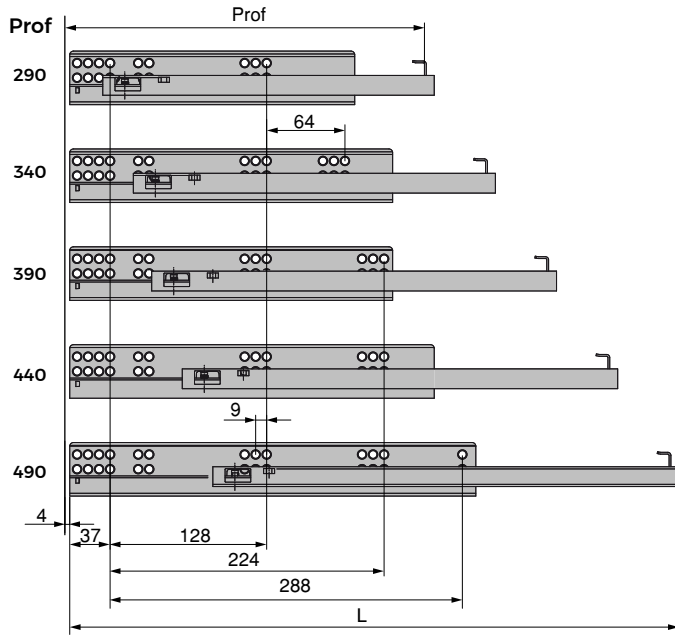
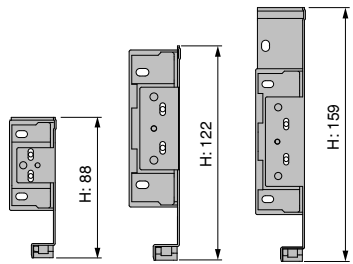
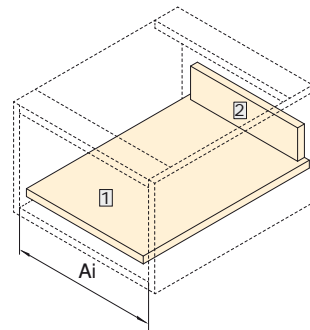


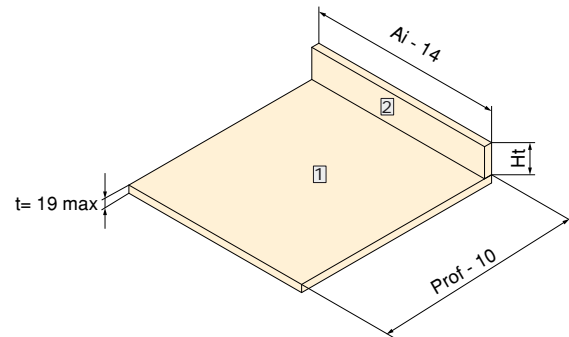
Silver - PARTIAL EXTENSION



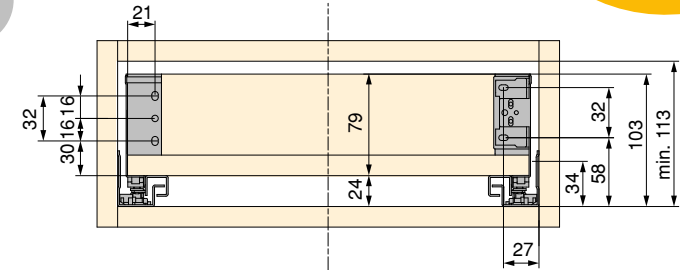
Prof	L
290	300
340	350
390	400
440	450
490	500



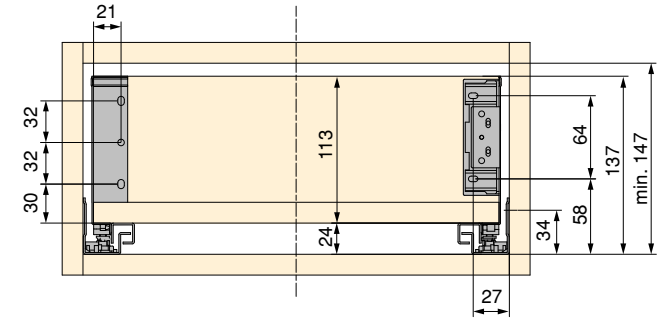
H	Ht
88	79 - t
122	113 - t
159	149 - t



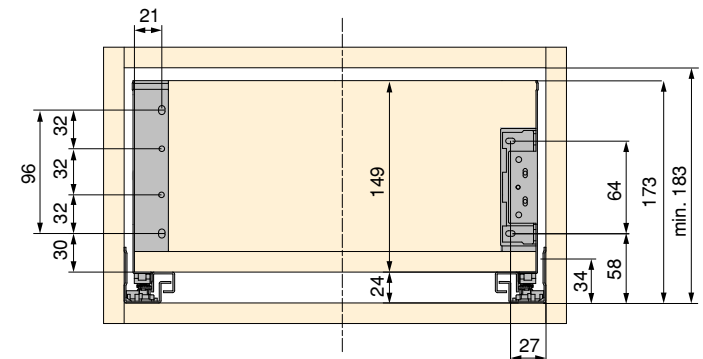
H88



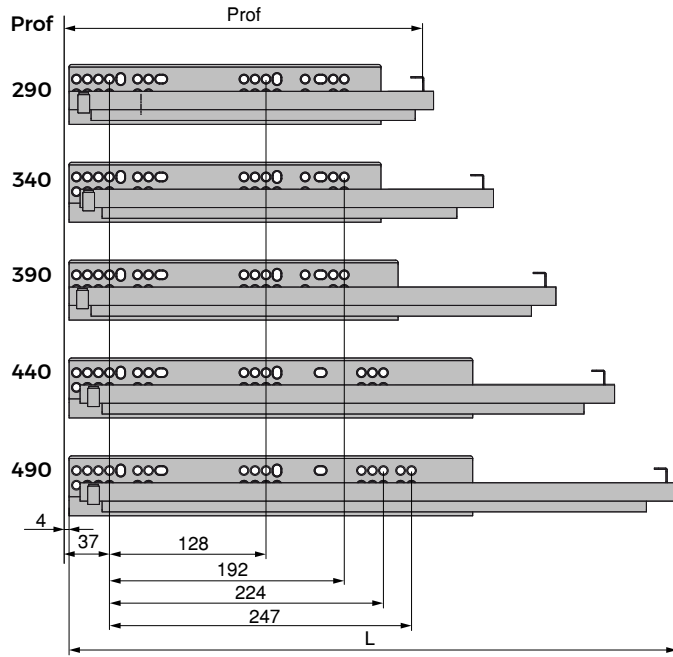
H122



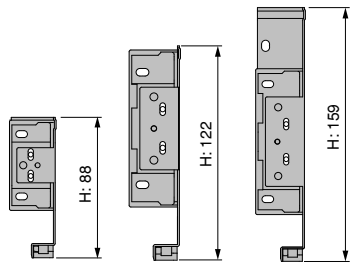
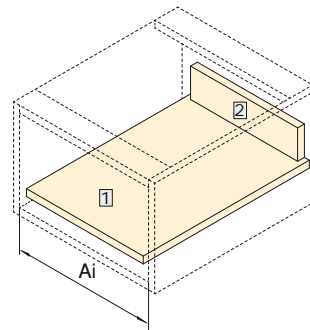
H159



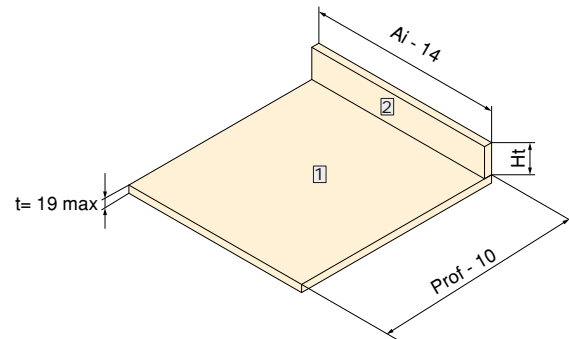
Silver - FULL EXTENSION



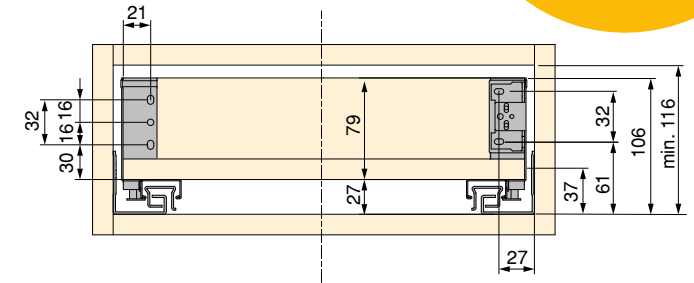
Prof	L
290	300
340	350
390	400
440	450
490	500



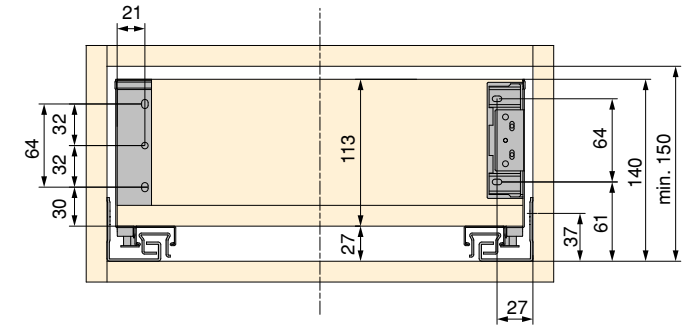
H	Ht
88	79 - t
122	113 - t
159	149 - t



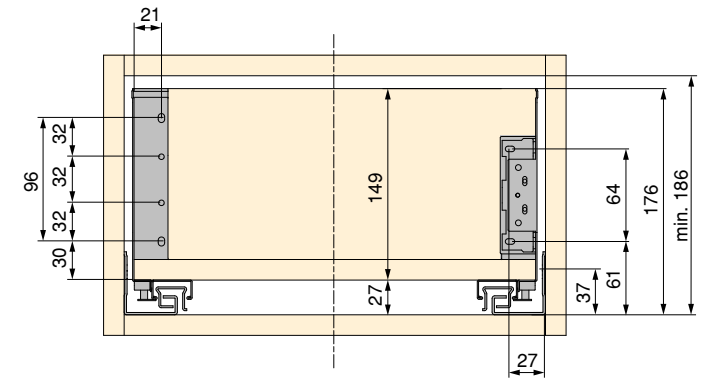
H88

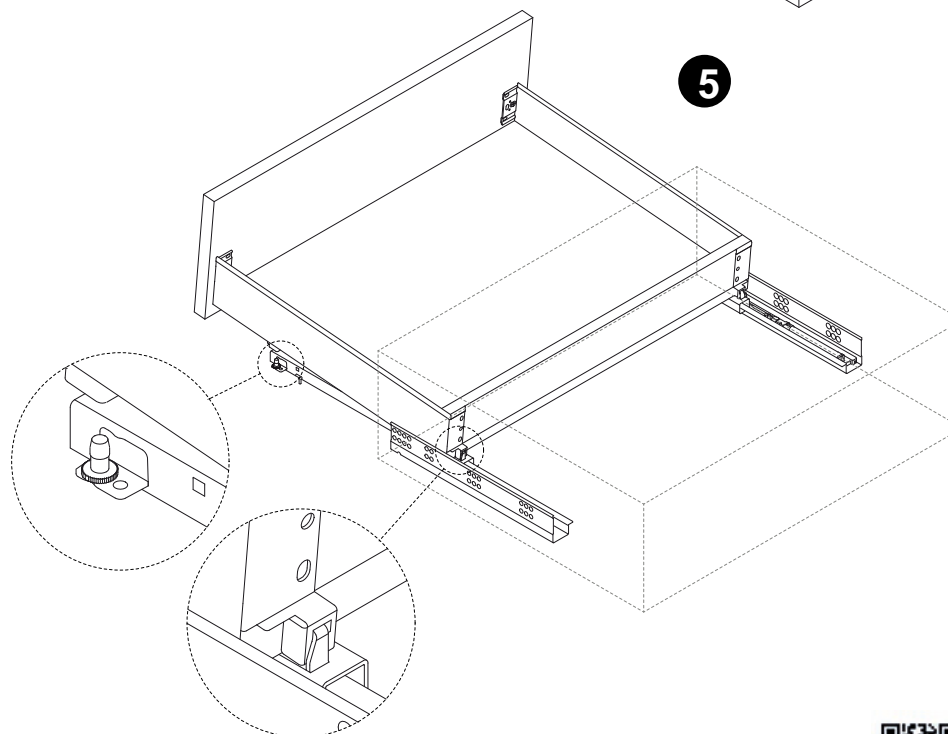
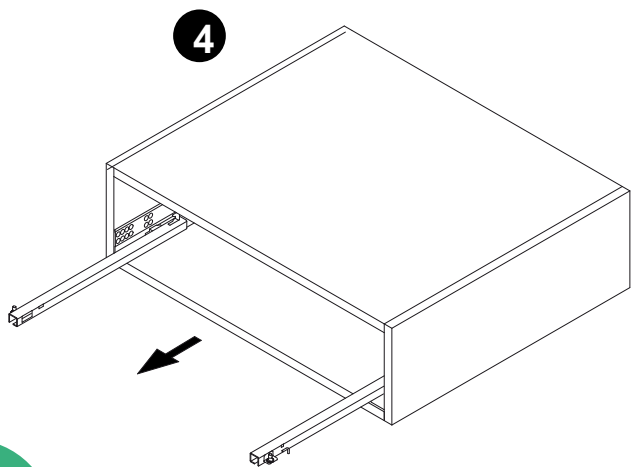
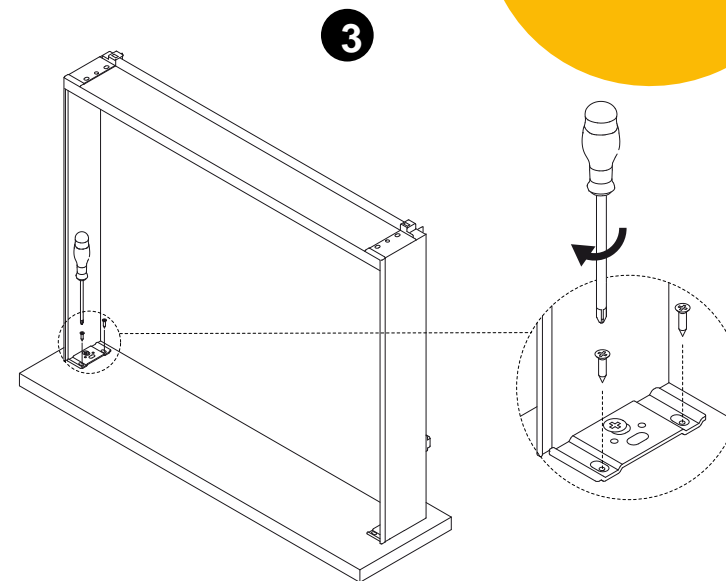
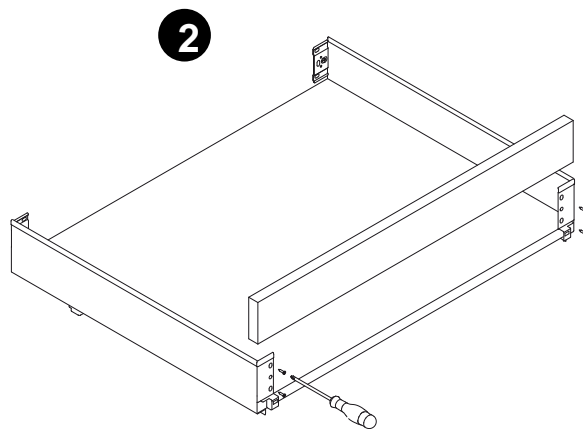
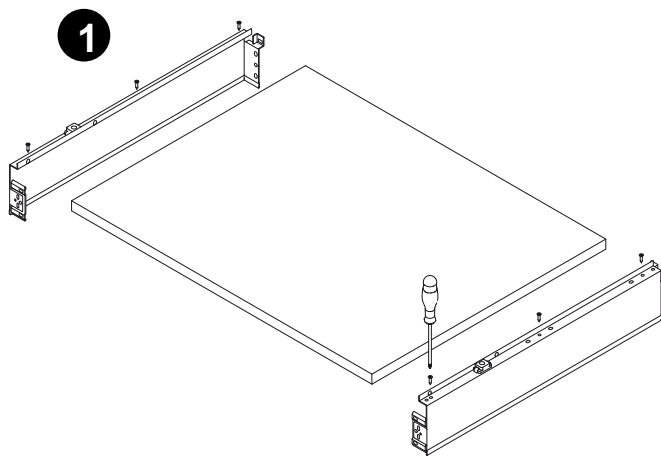


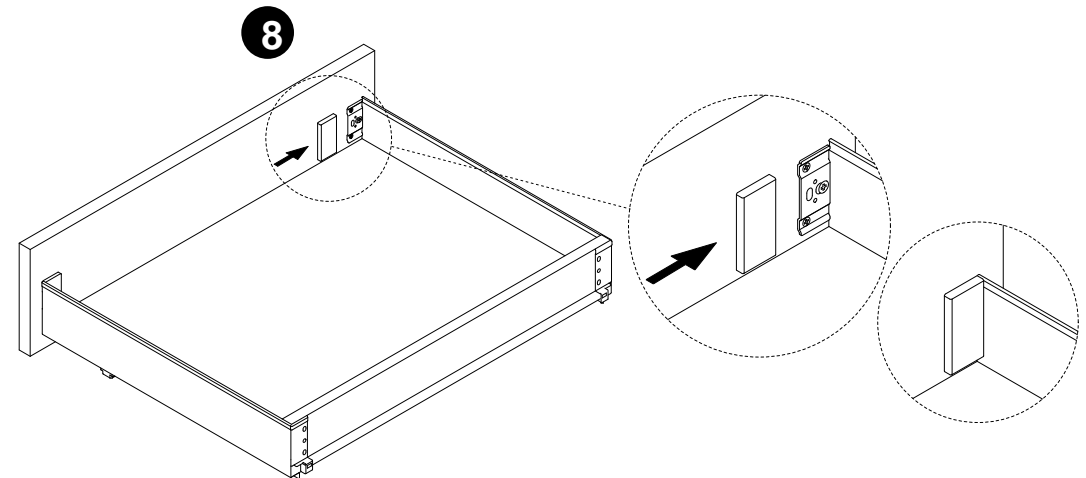
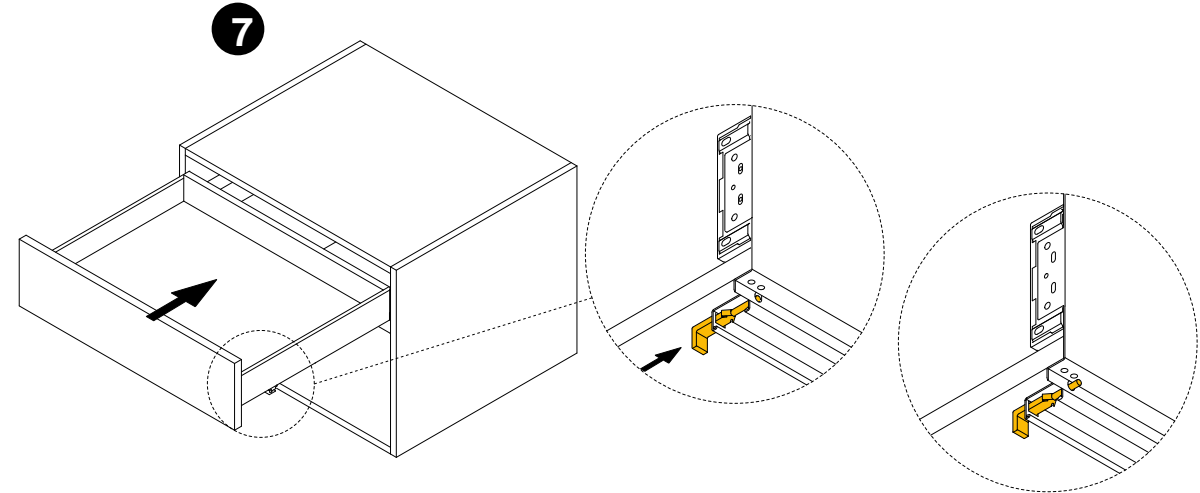
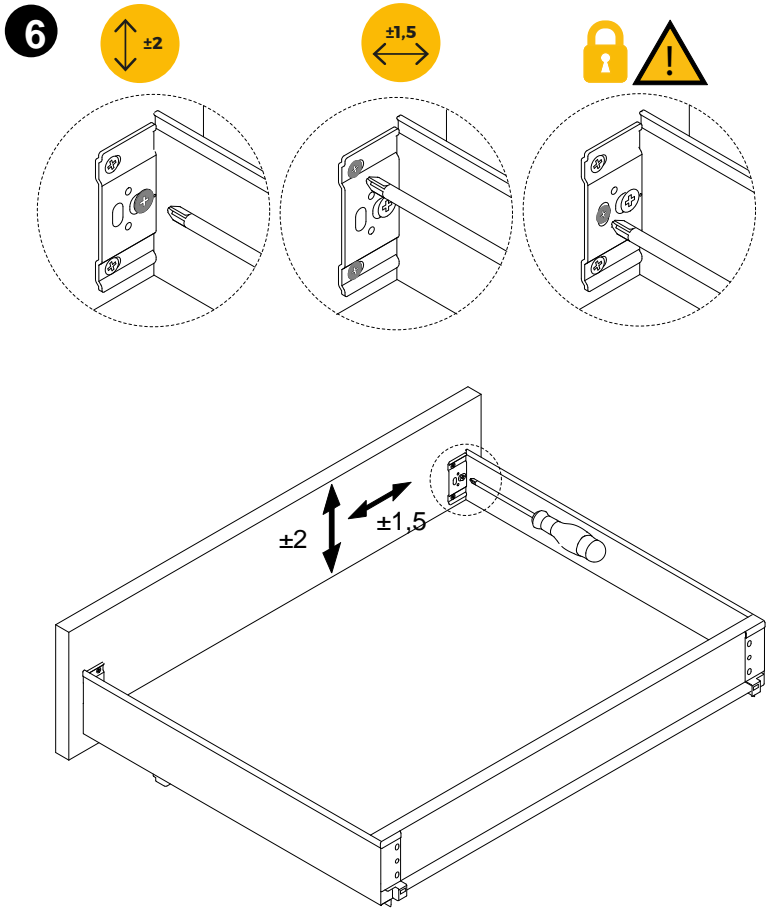
H122

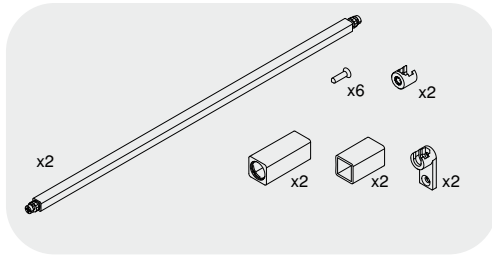


H159

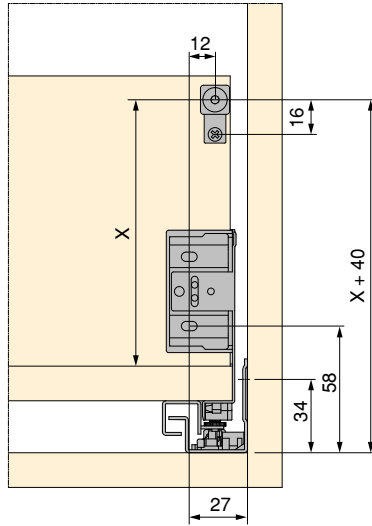








Silver
PARTIAL EXTENSION



Silver
FULL EXTENSION

