

**Product data sheet**




**Falco**

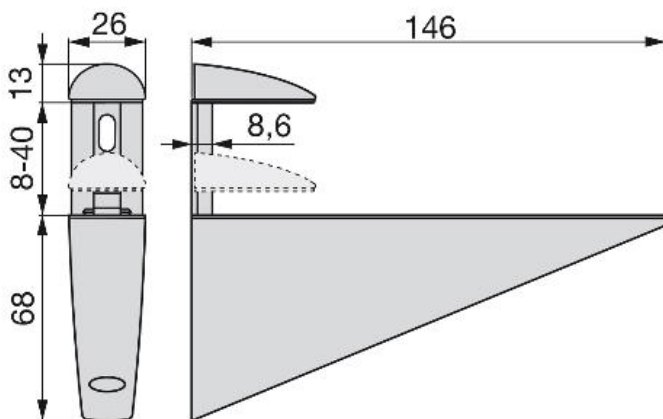
Wall shelf supports

 **AIDIMA**

**Specifications**

	Cod.	Finishing
40	<b>6193024</b>	Matt nickel painted
40	<b>6193025</b>	Silver painted

**Diagram**



**Information**

Complies with UNE EN-14749:2006 (furniture for home and use kitchen).

**Assembly**

A-Drill wall and insert rawlplugs.

B-Fix support to wall using screw 2 not forgetting ratchet piece 3. Do not screw too tight so that the level can be adjusted.

C-Level the supports by means of the ratchet 3 and then tighten screw 2.

D-Place the shelf on the supports and fasten using screw 1.

