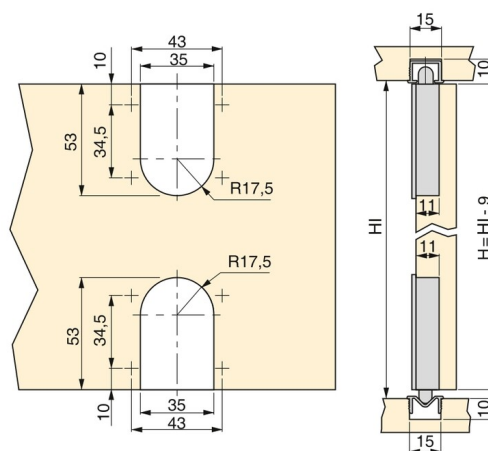


Kit of Glider sliding door fittings for one Glider sliding wardrobe door, 20kg, Plastic, Black and Zamak

SKU 4953017 / EAN 8432393110486



Load

20 kg

Packaging

10 KIT

Finishing

Black



SKU

4953017

Product features

Components

1 pair of trolleys for one door, mounting screws

Product description

Recessed wheels for the Glider sliding door system. It has a pair of upper wheels and a lower pair, made of black plastic and with a metal bolt axle. They can support up to 20 kg of weight and allow the height to be adjusted by reducing it by a maximum of 1.5 mm or increasing it up to 4 mm. The mounting and machining system is the same for both pairs of wheels. To install them, it is necessary to make a U-cut for each wheel, 11 mm deep, with a 35 mm diameter drill. After stuffing it, the plate is screwed to the door with 4 self-tapping screws. The packaging contains 10 units.

Product benefits

Glider carriages and glides designed for **sliding door systems**, providing a **smooth and safe glide**.

Glider carriages and glides designed for **sliding door systems**, providing a **smooth and safe glide**.

For manufacturers, the flexible wheel design and height adjustment of ± 1.5 mm allows for precise integration into wardrobes and sliding furniture.

For **fabricators**, the **Glider** design allows for precise integration into wardrobes and sliding furniture.

For **wholesalers and distributors**, its **presentation in packs of 10 units** facilitates distribution in large volumes and improves product availability.

For **carpenters and professionals**, its **easy installation** by means of self-tapping screws and U-shaped milling makes assembly quicker without the need for specialised tools.

For **e-commerce and retail**, this product is positioned as a **versatile and resistant solution**, ideal for furniture renovation and improvement projects.

Documentation

Sketch

Frequently asked questions

What are the positioning dimensions of the rail in order for the door to sit flush with the unit in the Glider sliding system?

In order to get the door to sit flush with the unit, with the Glider sliding system, you need to take into account the dimensions of the following diagram:

What is the maximum load capacity of this wheel kit?

This kit is designed for sliding doors up to 20 kg. For higher loads, Emuca has specific solutions with ball bearings and damping.

What type of machining does the Glider system require for installation?

Each wheel must be inserted into a $\varnothing 15$ mm hole previously drilled in the door, with a depth of 11 mm. The hole must be centred and drilled with a 35 mm diameter drill bit.

What materials make up the assembly and how does this affect its durability?

The wheels are made of technical plastic with a metal axle, and the anchoring system uses zamak. This combination guarantees wear resistance and quiet running.

Does the system allow for height adjustment once installed?

Yes. The design of the Glider top rollers incorporates an adjustment system that allows the height of the door to be adjusted within a range of up to 4 mm.

What does the kit include and how many doors is it for?

The package includes 1 set of carriages (top and bottom), 4 self-tapping screws and fasteners. It is suitable for 1 sliding door only.